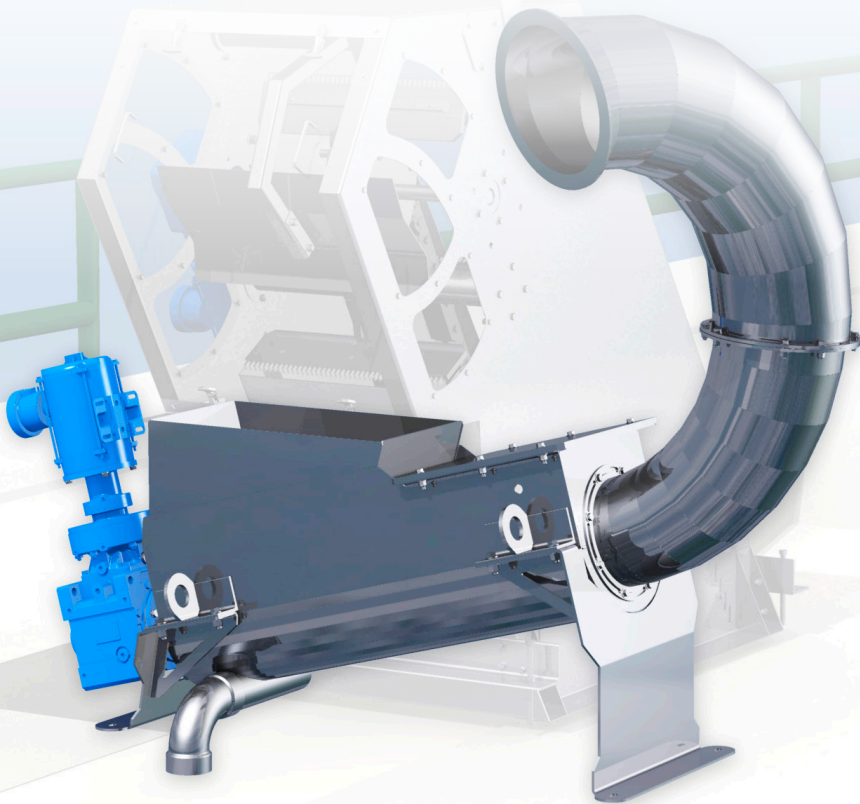


## Enjoying Your FlexRake® Low Flow? Our New Washer Compactor Was Designed for You!

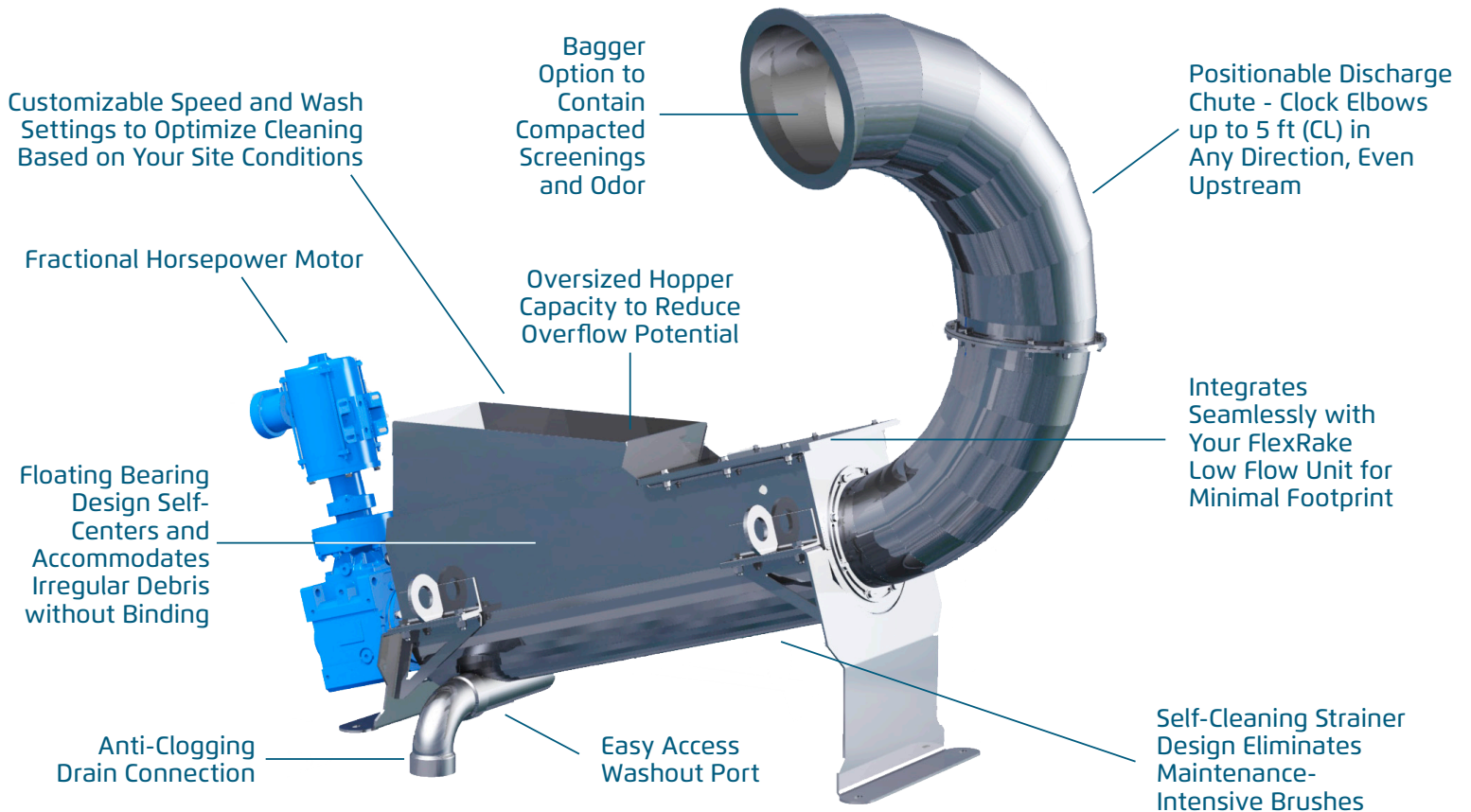
### Low Flow Washer Compactor Single Auger System

The pre-engineered Low Flow Washer Compactor is a perfect fit in size and capacity to receive screenings from your existing FlexRake Low Flow bar screen. The simple design of the Low Flow Washer Compactor requires minimal maintenance and delivers a low cost of ownership that you have come to expect from Duperon innovation. Upgrade today to fully automate your headworks:

- Save Hauling and Landfill Costs: Over 80% Volume Reduction, 60% Weight Reduction
- Spend Less Time Managing Screenings with a Fully Automated Solids Handling System
- Significantly Reduces Odor and Returns Organics Downstream
- Built-in Adaptability: Discharge Chute, Drain Connection and Motor Location Configurable to Your Site Needs
- Energy Efficient: Fractional Horsepower Motor



# The Duperon® Low Flow Washer Compactor



## GENERAL

- Average Flow Capacity: 5.5 cu.ft/hr
- Peak Flow Capacity: 8 cu.ft/hr
- Screenings Discharge Chute: Positionable up to 5 ft (CL) in Any Direction

## UTILITY

- 1/2 HP
- 1 PH/115 or 230 VAC
- 3 PH/240 or 480 VAC
- Explosion Proof, Inverter Duty

## WATER

- Water Supply: Wash Water Filtered Effluent Screened with #20 Mesh Wye Strainer or Potable Water with Check Valve
- Supply Connection: 1/2 in NPT Female Connection or GHT 3/4 in Female Fitting for Standard Garden Hose
- Consumption: 3-10 GPM
- Required Pressure: 40-60 PSI
- Drain Connection: 3 in Fernco Elbow

## MATERIALS OF CONSTRUCTION

- 304 SSSL: Hopper, Discharge Chute, Auger
- UHMW: Auger Supports

## PERFORMANCE

- Odor/Fecal: Significantly Decreases Odor/Fecal
- Passes Paint Filter Test

## ACCESSORIES

- 5 ft Straight Discharge Chute Extension
- Cold Temperature Package with Heat Blanket
- Bagger System with 90m Continuous Feed Bag

## CONTROLS

- Simple Relay Input to Your Existing FlexRake Panel
- PB Station & Estop included



ADAPTIVE TECHNOLOGY™

1200 Leon Scott Court | Saginaw, MI 48601 | P 989.754.8800 | F 989.754.2175 | TF 800.383.8479 | www.duperon.com

Duperon® and Adaptive Technology™ are trademarks of Duperon Corporation. © Copyright 2019, Duperon Corporation

9999/5/19/0M